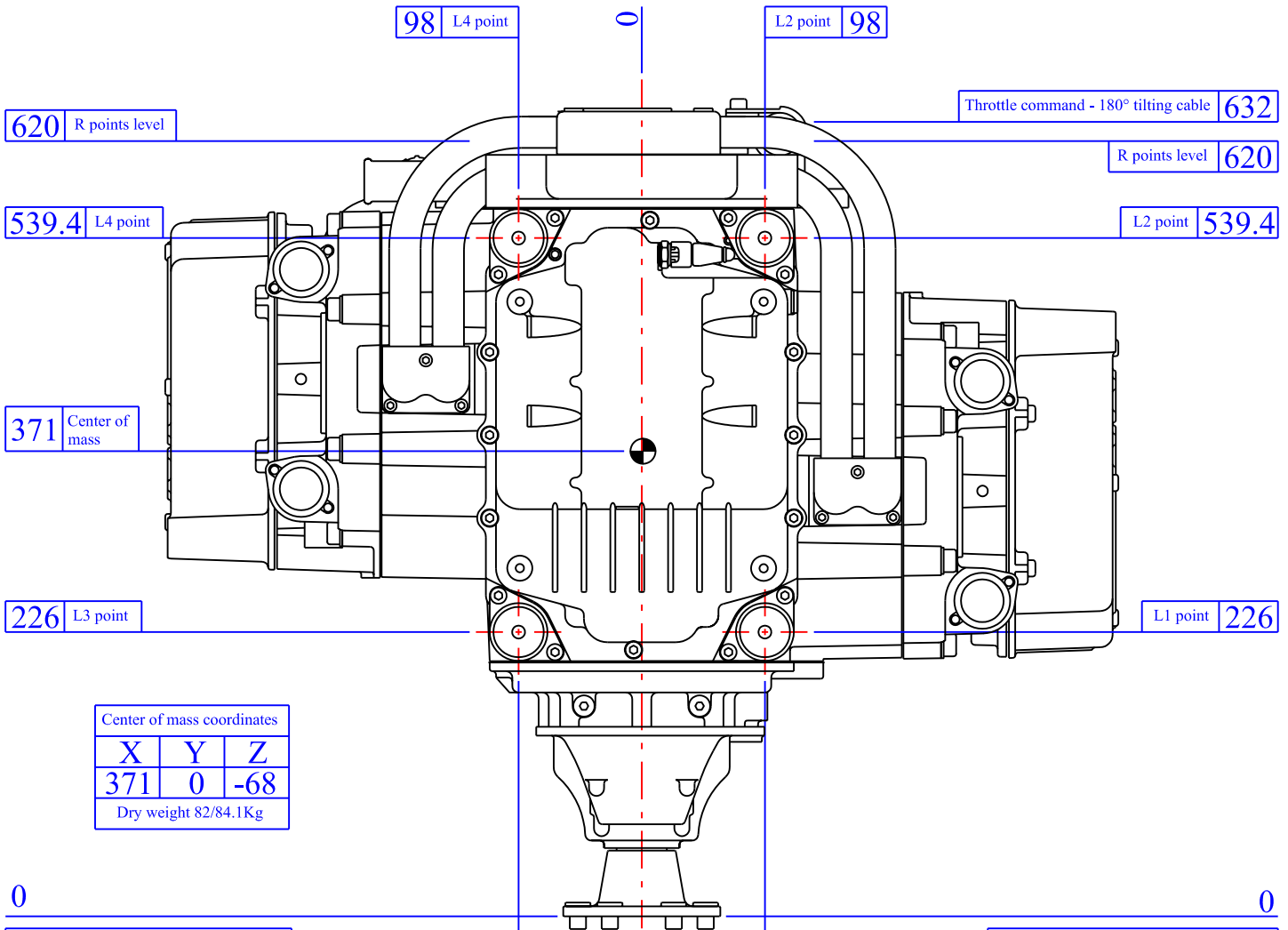


Fixing points B22L and B22R



Center of mass coordinates			
X	Y	Z	
371	0	-68	
Dry weight 82/84.1Kg			

Lower fixing points coordinates (optional)				
	X	Y	Z	
L1	226	98	-238.2	
L2	539.4	98	-238.2	
L3	226	-98	-238.2	
L4	539.4	-98	-238.2	
Total engine mounts thickness 64mm				
Use only M10x1.5 quality 8.8				

Rear fixing points coordinates				
	X	Y	Z	
R1	620	100	-218.2	
R2	620	137.5	81.8	
R3	620	-100	-218.2	
R4	620	-137.5	81.8	
Total engine mounts thickness 64mm				
Use only M10x1.5 quality 8.8				

